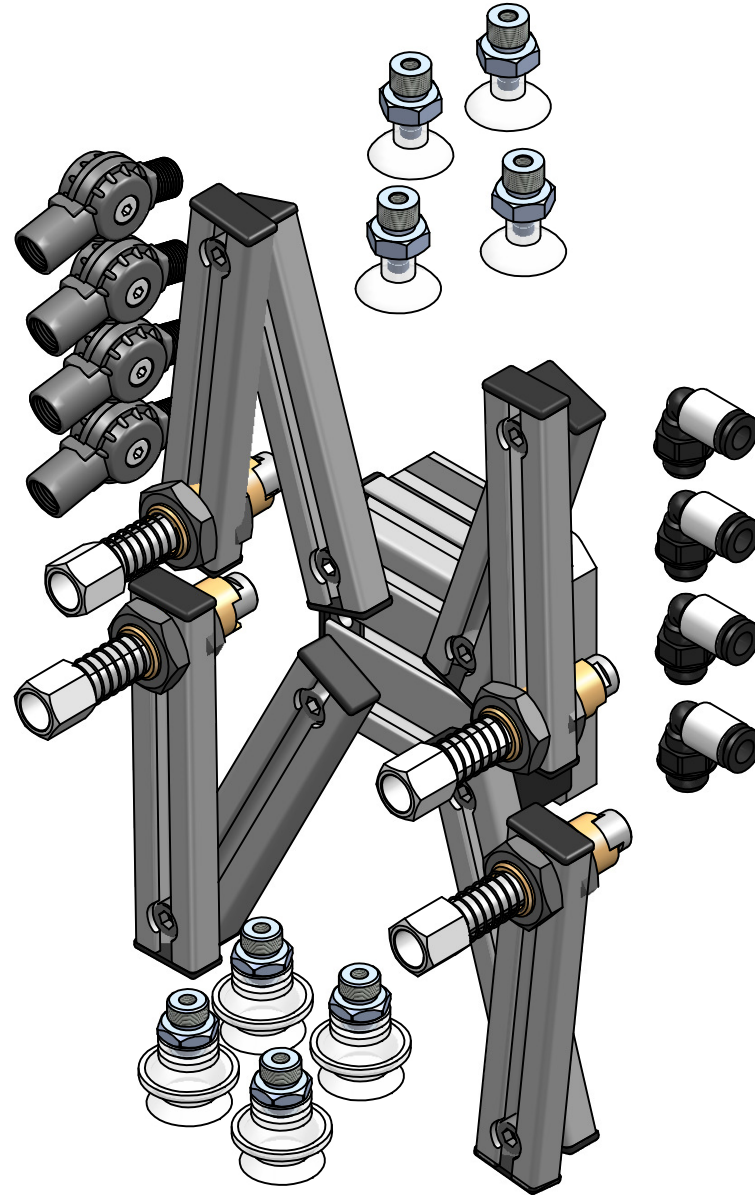


THE PROPERTY OF THIS DRAWING IS ESTABLISHED BY LAW  
IT IS FORBIDDEN TO REPRODUCE IT OR SHOW IT TO THIRD PARTY  
WITHOUT A WRITTEN AGREEMENT.

Object Number	Name	QTY
1	KIT.08.03.020.9	4
2	KIT.08.01.020.1	4
3	CA.07.01.001	4
4	CA.05.01.003	4
5	V.TCE5X10	10
6	CA.02.05.007	12
7	CA.02.03.005	2
8	CA.12.05.002	4
9	CA.02.03.009	16
10	CA.02.01.009	0.8
11	CA.02.01.005	0.12
12	CA.12.04.004	3



MODIFICATIONS: \_\_\_\_\_  
 (7) \_\_\_\_\_  
 (8) \_\_\_\_\_  
 (9) \_\_\_\_\_  
 VARIED DIMENSIONS AS OF DATE: \_\_\_\_\_  
 (10) \_\_\_\_\_  
 (11) \_\_\_\_\_  
 (12) \_\_\_\_\_

MODIFICATIONS: \_\_\_\_\_  
 (1) \_\_\_\_\_  
 (2) \_\_\_\_\_  
 (3) \_\_\_\_\_  
 VARIED DIMENSIONS AS OF DATE: \_\_\_\_\_  
 (4) \_\_\_\_\_  
 (5) \_\_\_\_\_  
 (6) \_\_\_\_\_

Format **A3**  
 UNI 936-76

<b>FP Services</b>		DESIGNED FROM FPSERVICES	
GENERAL TOLERANCE: UNI - ISO 2768 CLASSE f		DATE 03/2015	WEIGHT 0,000 kg
DESCRIPTION		CODE <b>RAGNO.60</b>	

